

ADSLC II OLC (Outdoor Lighting Controller)

Dimming and Energy Consumption Monitoring Capabilities through Power Line Communication Based on LonWorks

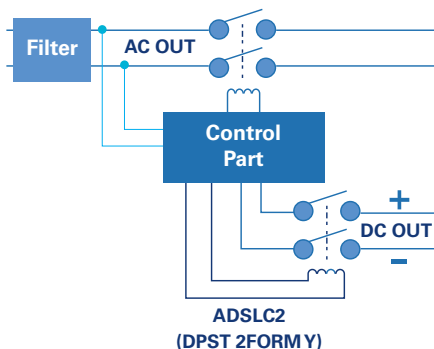
ADSLC II, a streetlight controller, builds streetlight control network with power line communication, and can be accessed through the iLon SmartServer by Internet or mobile wireless network in order to manage and control streetlights.



ADSLC II

FEATURES

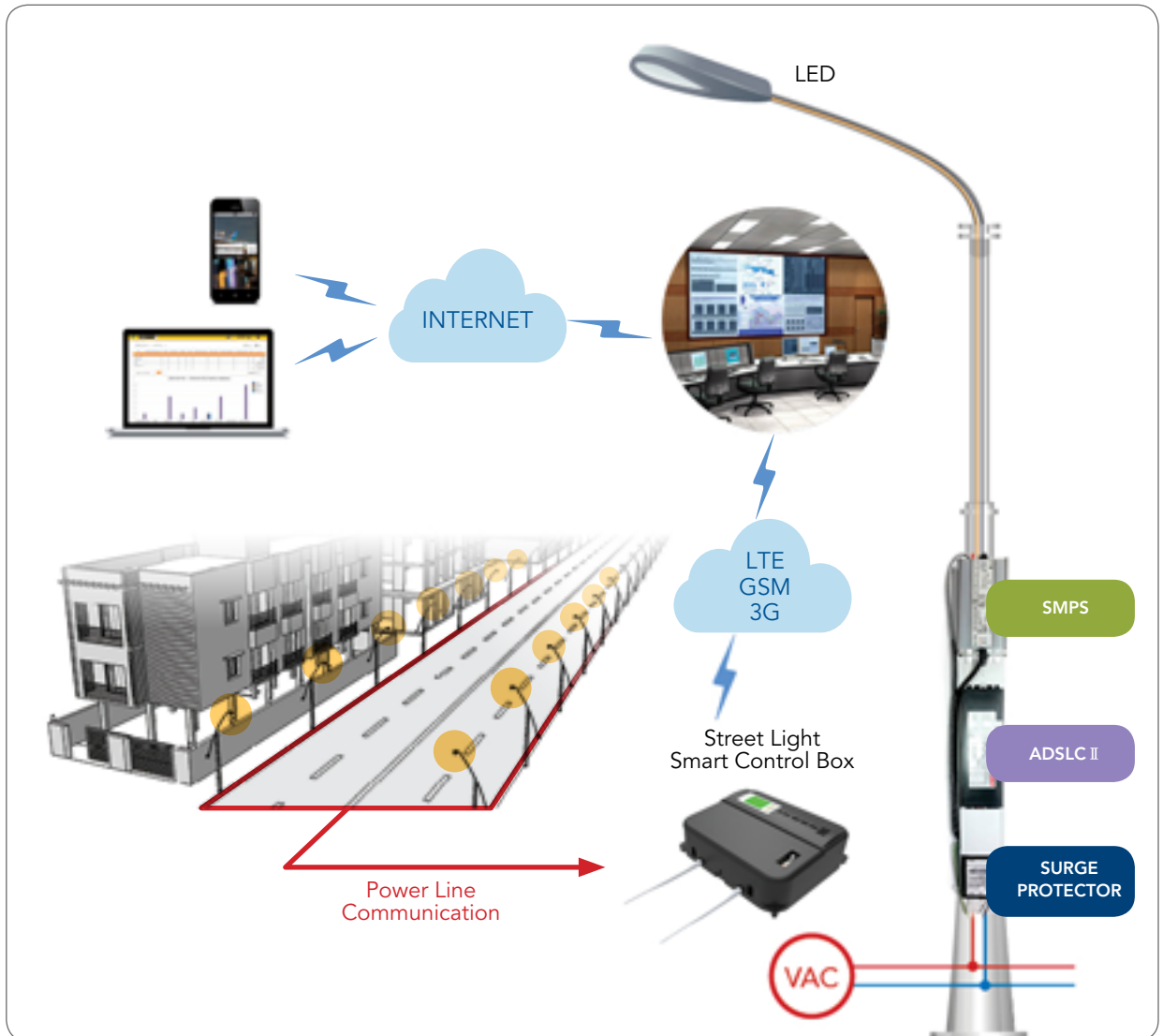
- Enables dimming control and lamp on/off through dimming signal. (0~10VDC)
- Has metering function measuring electrical data such as current, voltage, power, etc.
- Is equipped with the function to detect leakage current.
- Complies with LonMark standards.
- Can build streetlight network through power line communication.
- Applies DPST 2FORM Y type relay to remove residual light of LED that protects lamp from surge during daytime and prevents energy loss by leakage current.



SPECIFICATIONS

Model Name	ADSLC II	
Input / Output Voltage	100VAC ~ 250VAC	
Input / Output Max Current	Max 1A (at 250 Volt)	
Leakage Current Measuring Range	Max 100mA	
Input / Output max Power	Max 250W	
Dimming Signal Voltage and Current	0 ~ 10VDC	
Use Temperature	-40 ~ 50 °C	
Storage Temperature	-50 ~ 90 °C	
Size	208 × 68 × 37(mm)	
Communication	Processor	PL 3120 Smart Transceiver (ANSI-709.2)
	Channel / Speed	PL-20C, 5.4 Kbit / Sec
	Protocol	Enhanced LonTalk® Proxy protocol
	Function block	Node Object (SFPT Node Object, Index:1) Lamp (SFPT outdoor Luminair Controller, Index:96)
PLC Regulation	FCC, Industry Canada, Japan MPT, European CENELEC EN 50065-1	

CONFIGURATION



DIMENSIONS

